

### Analog Dome Camera



#### **Description:**

The Costar CMR-Dome is a rugged and reliable analog dome camera. With 700TVL, it offers high-quality images in most mobile environments. The 24 IR LEDs provide excellent illumination in all light conditions and the 4-pin DIN connection allows for a very solid connection. The standard lens is 3.6mm and a 2.8mm lens is available.

#### **Features:**

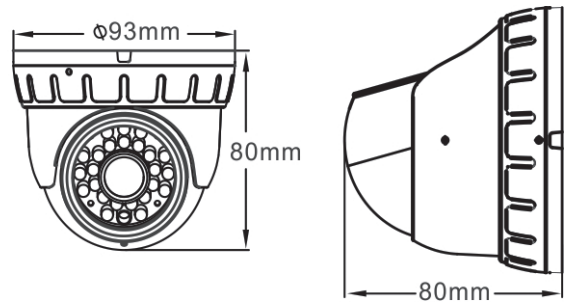
- PAL: 976x582 Resolution
- NTSC: 976x494 Resolution
- Specialized structure for vehicles
- Easy assembly and disassembly
- Lockable angle
- Anti-vibration
- Ultra-wide color temperature for color fidelity
- Anti-jamming & low power design
- Audio band-pass filter

# CMR-DOME-IR Specifications

Model	Lens (mm)	Resolution
CMR-DOME-IR	3.6mm, 2.8mm Optional	PAL: 976x582, NTSC: 976x494 Resolution

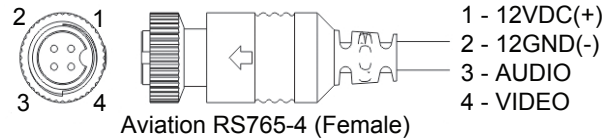
Power
<b>Power Consumption:</b> 220mA/DC 12V (IR ON)
<b>Power Supply:</b> 12V DC $\pm$ 10%
Camera Parameters
<b>Sensor:</b> 1/3" SONY CCD
<b>Resolution:</b> PAL: 976x582, NTSC: 976x494 Resolution
<b>Minimum Illumination:</b> 0lux when IR ON
<b>Sync System:</b> Inter-sync
<b>Scanning System:</b> 2 : 1 Interlaced
<b>S/N:</b> $\geq$ 52db (AGC OFF)
<b>Electronic Shutter:</b> Auto
<b>White Balance Mode:</b> Auto
<b>Color to Black:</b> Auto
<b>Gamma Correction:</b> 0.45
Optical Lens
<b>Lens:</b> 3.6mm, 2.8mm Optional
Audio/Video Encode
<b>Audio:</b> Yes (Support Band-pass Filter)
<b>Video Output:</b> 1.0Vp-p Composite Video Output, 75 $\Omega$
<b>IR:</b> 24 IR LEDs
General Information
<b>Working Temperature:</b> -20°C ~ +55°C

## Dimensions

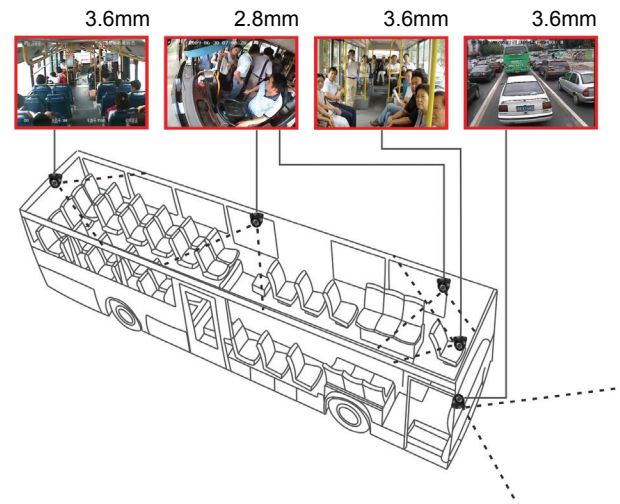


## Video Output

Aviation Plug Connector



## Solution Reference



**COSTAR**  
MOBILE VIDEO

101 Wrangler, Suite 201 • Coppell, Texas 75019 • Phone: 469-635-6810 • Fax: 469-635-6822

[www.costarmobilevideo.com](http://www.costarmobilevideo.com)

Specifications and design are subject to change without notice. Conversions: 1" = 25.4mm. Measurement conversions are approximate.

Rev. 06/07/15